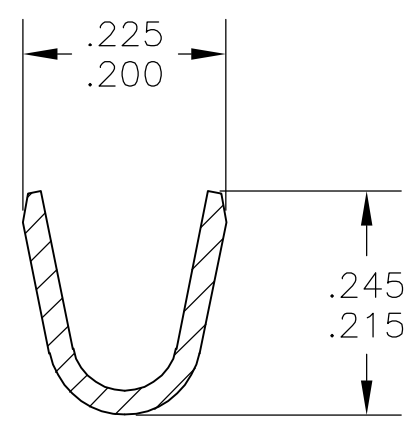
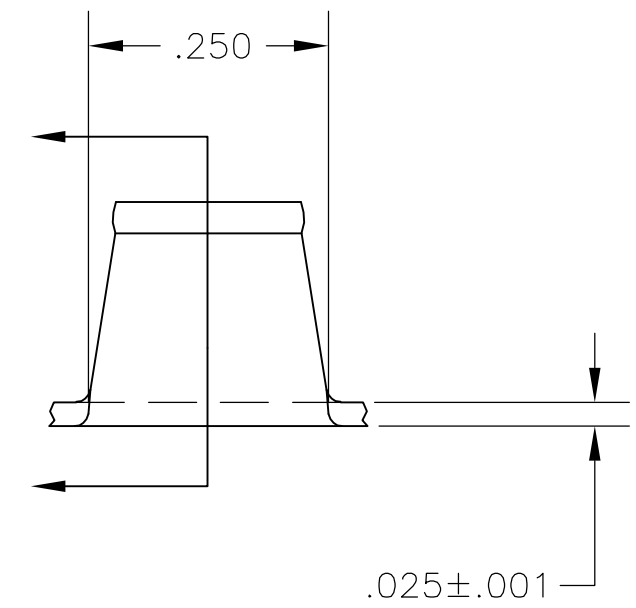
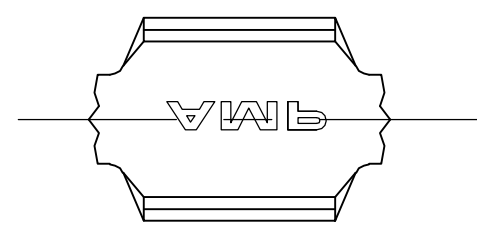


THIS DRAWING IS UNPUBLISHED. RELEASED FOR PUBLICATION
 © COPYRIGHT BY TYCO ELECTRONICS CORPORATION. ALL RIGHTS RESERVED.

LOC	DIST	REVISIONS					
AF	50	P	LTR	DESCRIPTION	DATE	DWN	APVD
			A1	REVISED PER ECR-05-012571	14NOV05	MF	GP

- 1 CONTINUOUS STRIP ON REELS
- 2 WIRE RANGE FOR NEW APPLICATIONS: 7400-10,000 CMA
 (WIRE RANGE APPROVED FOR APPLICATIONS IMPLEMENTED PRIOR TO 2005: 4000-10,000 CMA).



41996
 PART NO

THIS DRAWING IS A CONTROLLED DOCUMENT.		DWN	jr ruth	24NOV04	tyco Electronics	Tyco Electronics Corporation Harrisburg, PA 17105-3608				
DIMENSIONS: INCHES		CHK	G PORTA	24NOV04		NAME SPLICE				
TOLERANCES UNLESS OTHERWISE SPECIFIED:		APVD	G PORTA	24NOV04	PRODUCT SPEC -					
0 PLC ± -		APPLICATION SPEC		-		SIZE		CAGE CODE	DRAWING NO	RESTRICTED TO
1 PLC ± -		-		-		A3		00779	C-41996	-
2 PLC ± -		-		-		CUSTOMER DRAWING		SCALE	SHEET	REV
3 PLC ± .015		-		-		1:1		1 OF 1	A1	
4 PLC ± -		-		-						
ANGLES ± 5°		-		-						
MATERIAL		FINISH		WEIGHT						
TEMP 1 BRASS		.000080 MIN TIN		-						